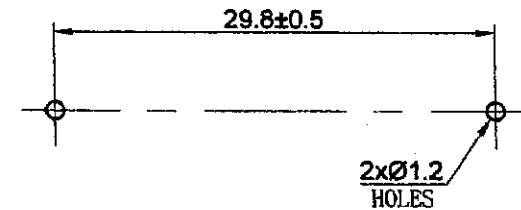
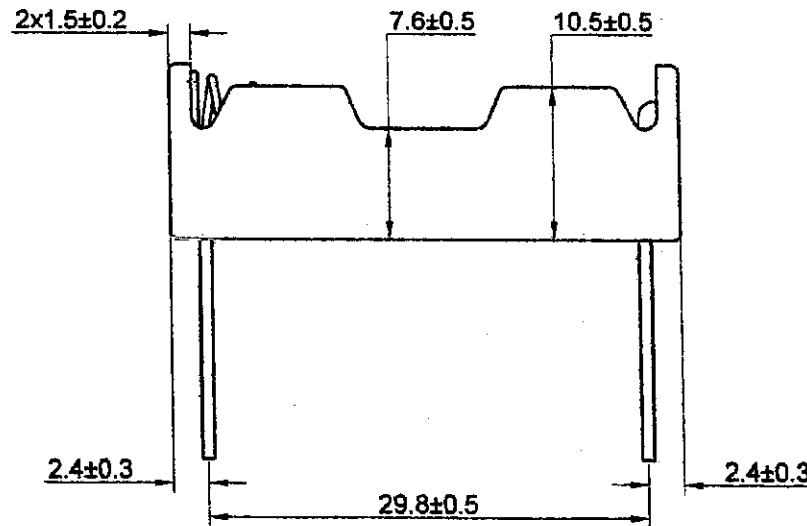


PIN



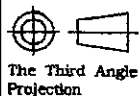
PCB/MOUNTING LAYOUT

SPECIFICATION

- (1) ITEM NO. : BH-511-4P<sub>24</sub>
- (2) HOLDER MATERIAL: P. P. RESIN, BLACK COLOR
- (3) WITH PIN: Ø0.8x24MM, BRASS NICKEL PLATED
- (4) SPRING MATERIAL: Ø0.5MM 65C SPRING STEEL NICKEL PLATED
- (5) RIVET MATERIAL: BRASS NICKEL PLATED
- (6) RoHS COMPLIANT

3		
2		
1		

NO.	MODIFICATION	DATE	SCALE	2:1	APPD	CHKD
General Tolerances			UNIT	MM		
0 ~ >3	± 0.10	30 ~ >120	MAT'L	AS SPEC.	DWN	HUANGAILAN
3 ~ >6	± 0.10	120 ~ >400	DATE	NOV. 19. 2011	DR NO	5114P <sub>24</sub> -1111
6 ~ >30	± 0.20	Angle: ± 3°				



**SHOGYO INTERNATIONAL CORP.**  
**# BH-511-4P**  
**BATTERY HOLDER**