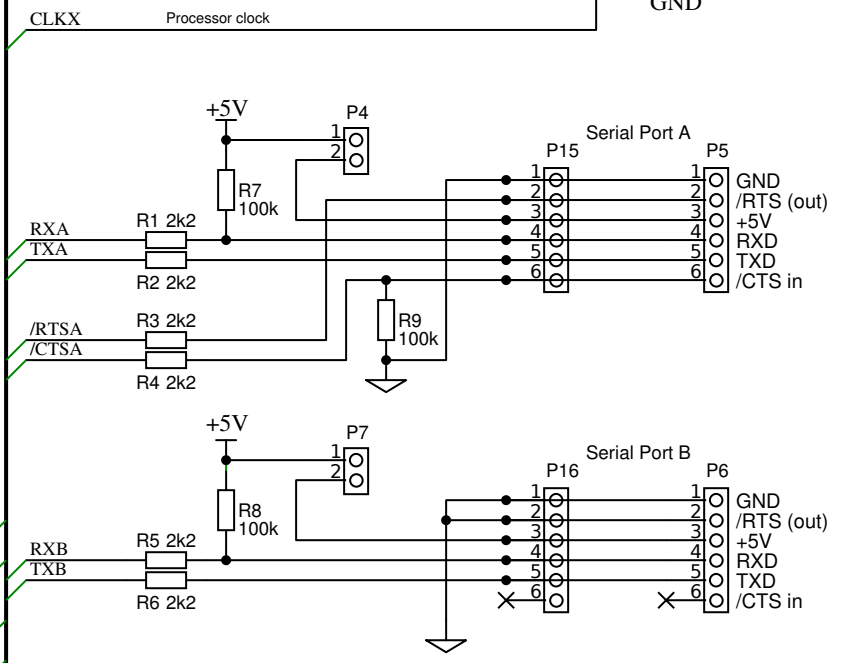
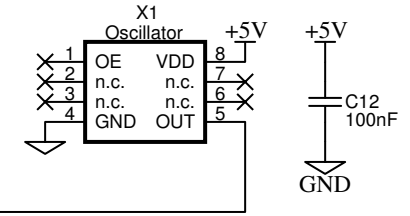
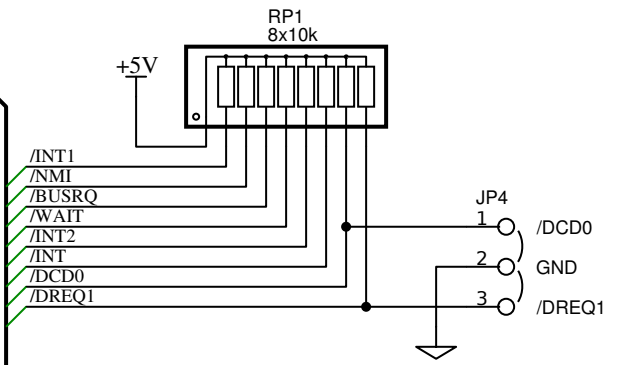
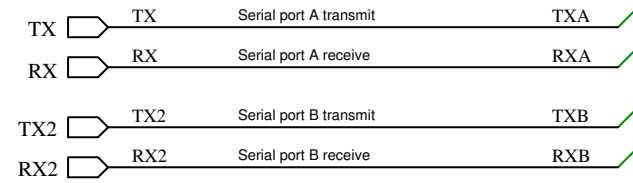
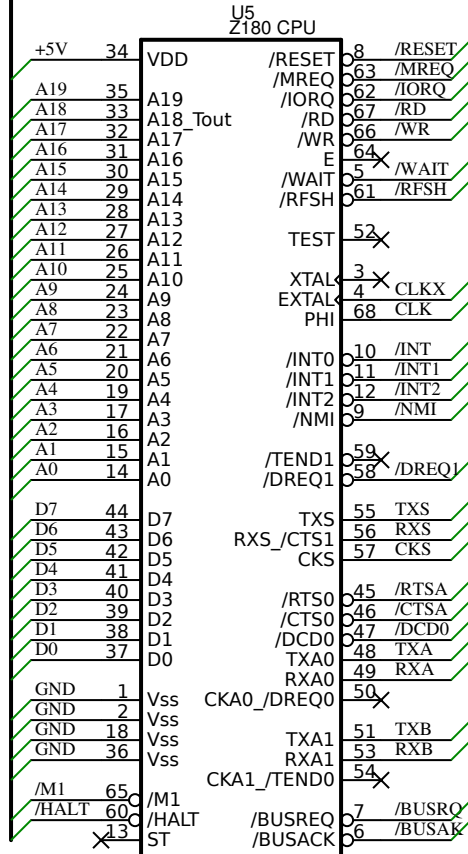
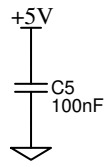
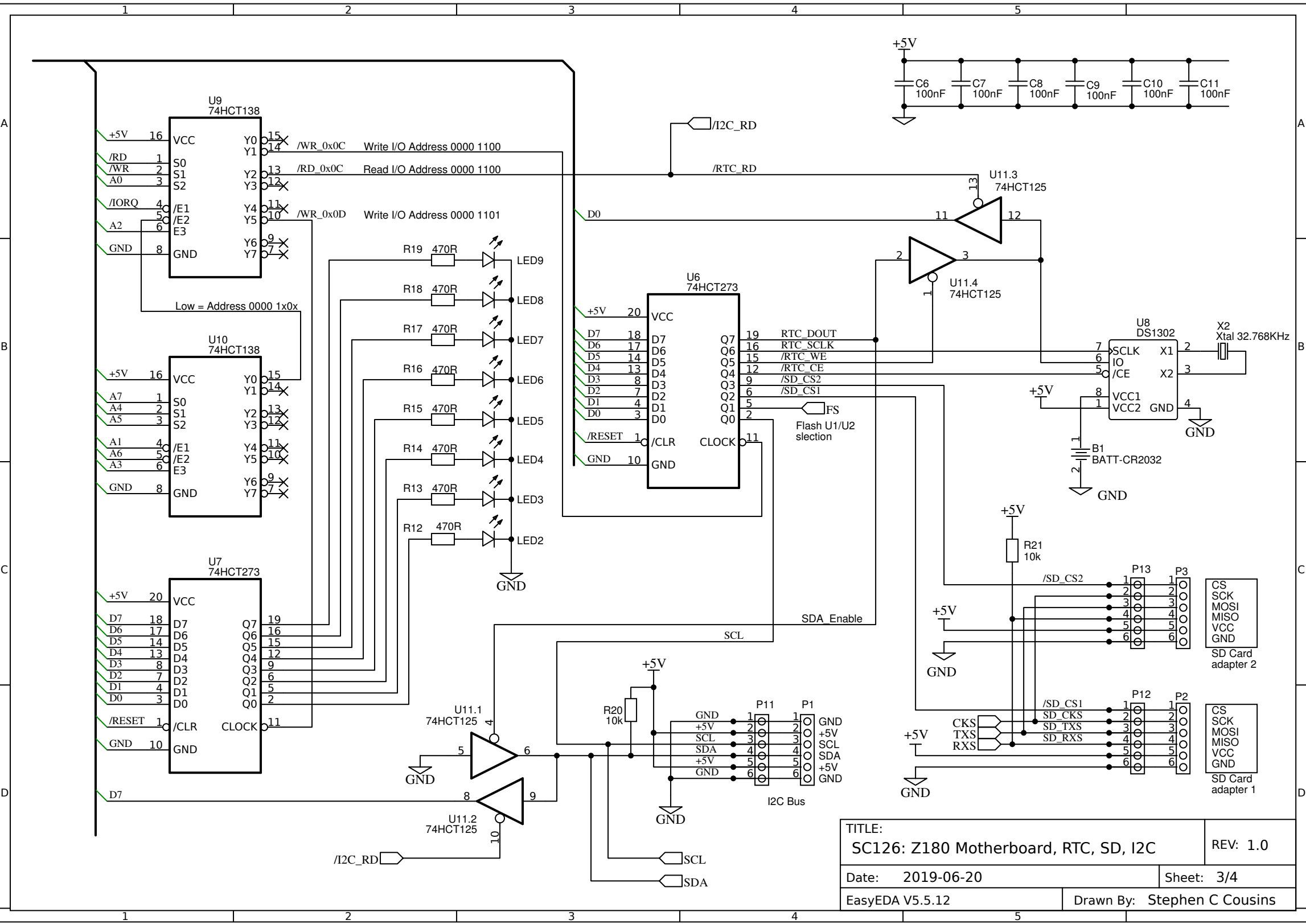


TITLE: SC126: Z180 Motherboard, Memory		REV: 1.0
Date: 2019-06-20		Sheet: 1/4
EasyEDA V5.6.15	Drawn By: Stephen C Cousins	



TITLE: SC126: Z180 Motherboard, CPU and Serial		REV: 1.0
Date: 2019-06-20		Sheet: 2/4
EasyEDA V5.6.15	Drawn By: Stephen C Cousins	



TITLE: SC126: Z180 Motherboard, RTC, SD, I2C		REV: 1.0
Date: 2019-06-20		Sheet: 3/4
EasyEDA V5.5.12	Drawn By: Stephen C Cousins	

